

G-TRAN Series Hot Cathode Gauge Box Unit [BMR2]

The G-TRAN series realized reduction and space by simplifying functions and removing operation and display function from the conventional control unit.

And the sensor head is separated from this unit so that it is possible to bake out the sensor head.



Features

- ▶ When the Pressure Display is Not Required, the Following Advantages can be Realized:
 Vacuum gauge cost is reduced because the display has been eliminated
 Smaller size frees-up system control panel space
 Wiring is reduced
- ▶ Operated with 24V DC
- ▶ Output of Analog Signal and 2 Set Points is Possible
- ▶ RS485 Communication (Multi-drop Compatible, 31 Units Max.) is Possible (Box unit only)
- ▶ Easy Replacement of Sensor Heads
- ▶ Sensor baking is Possible (Only When Used with a Box)

Applications

- ▶ Process control of vacuum equipment for semiconductor, optics and electronic parts manufacturing
- ▶ Process control for industrial equipment such as vacuum furnaces

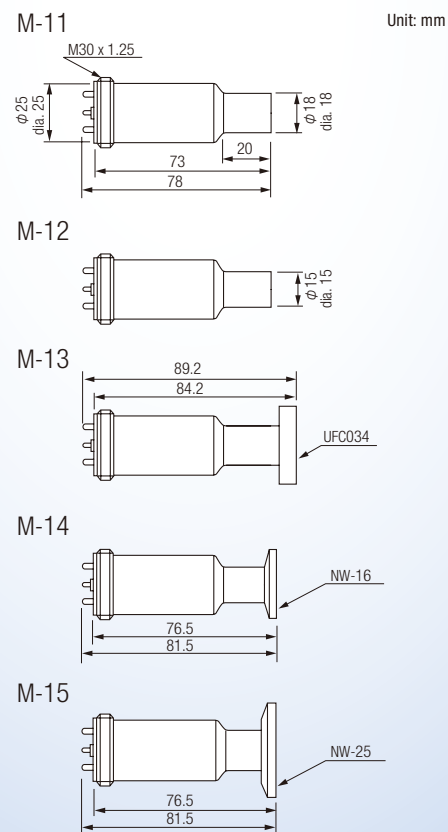
G-TRAN Series Hot Cathode Gauge Box Unit [BMR2]

Specifications

Type	Box unit	
Model	BMR2	
Compatible sensor head	M-11, M-12, M-13, M-14, M-15	
Measurable pressure range	5.0×10 ⁻⁸ to 9.9×10 ⁻⁹ Pa (3.75×10 ⁻¹⁰ to 7.43×10 ⁻² Torr, 5×10 ⁻¹⁰ to 9.9×10 ⁻² mbar)	
Accuracy	±20%	
Sampling time	Moving average of five times for 50 ms	
Measurement value output	Pseudo-logarithmic output 0 to 10 VDC 1V linear signal in each digit	
	Updating time	Moving average of five times for 50 ms
	Resolution	10 mV
SETPOINT1/2 Monitor output for adjustment	Mantissa part linear output of 0 to 10 VDC	
Control input signal	Filament ON/OFF	
	Filament 1/2	
	DEGAS ON/OFF	
Control output signal	Open collector output, negative logic	
	Emission Valid	
	Set point actuating signal 1/2	
LED display	POWER, ERROR, FIL, DEGAS, RS-MODE, SET-1, SET-2	
Serial communication spec	System	RS485
	Baud rate	9600, 19200, 38400 bps
	Mode	Mode1 :Read only , Mode2 :Read/Control
Operating temperature range	10 to 40°C (50 to 104°F)	
Operating humidity range	15 to 18% (not condensing)	
Power	24VDC±2V, 1.2A	
Input/Output connector	D-sub-15P (M2.6 screw)	
Weight	750g (excluding sensor head and cable)	
Standard accessories	Connector 1pc	
	Instruction manual 1pc	
	3-pin connector for power 1pc	

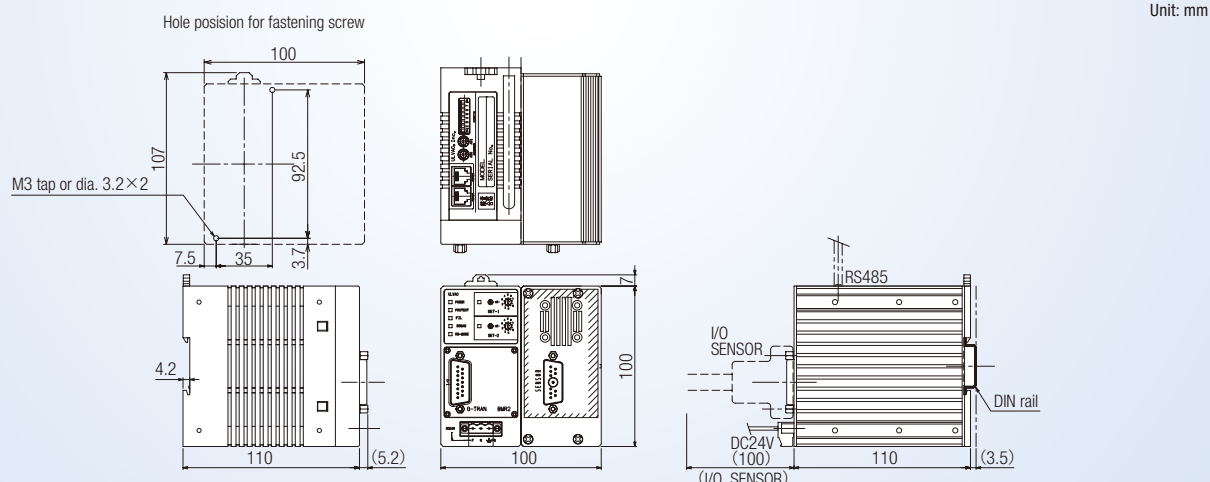
IO and analog GND are isolated from the power GND. Communication connector is not included.

Sensor head Dimensions



Dimensions

BMR2



ULVAC, Inc. Components Division

www.ulvac.co.jp/eng

Overseas Sales in Japan TEL +81-467-89-2261

USA : ULVAC Technologies, Inc. TEL +1-978-686-7550
 GERMANY : ULVAC GmbH TEL +49-89-960909-0
 CHINA : ULVAC (SHANGHAI) Trading Co.,Ltd. TEL +86-21-6127-6618
 TAIWAN : ULVAC TAIWAN, Inc. TEL +886-3-579-5688
 KOREA : ULVAC KOREA, Ltd. TEL +82-31-683-2922
 SINGAPORE : ULVAC SINGAPORE PTE LTD TEL +65-6542-2700

PHILIPPINES : ULVAC Singapore Philippines Branch TEL +63-2-828-7700
 VIETNAM : ULVAC Singapore Vietnam Representative Office TEL +84-8-62556762
 THAILAND : ULVAC (THAILAND) LTD TEL +66-2-312-4447
 MALAYSIA : ULVAC MALAYSIA SDN. BHD. TEL +60-3-5121-4700
 INDIA : ULVAC, Inc., India Branch TEL +91-40-27007006

▶ This catalog is subject to change without notice.
 ▶ This catalog is published in order to sell this product in overseas. Please see Japanese catalog when purchasing in Japan.