

Turbo Molecular Pumping System

Desktop YTP

**ULVAC Inc.
Component Div.**



Introduction

ULVAC

Desktop high vacuum pumping station featuring a low noise, low vibration design and ceramic ball bearing turbo molecular pump. Simple, easy to read touch screen control for user-friendly operation.

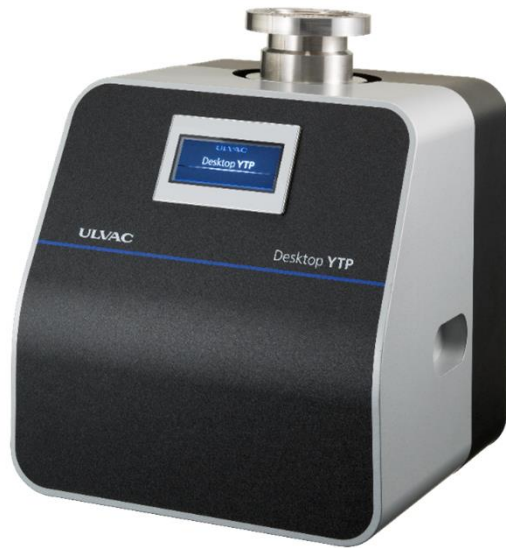


Desktop YTP : YTP70A-D



Features

ULVAC



➤ Consideration for use environment on desktop

Running noise and vibration during operation are reduced.

➤ Low noise

43dB(A) or less at Ultimate pressure.
(Measured by ULVAC standard for ICF flange type.)

➤ User-friendly

Simple operation with easy to read touch panel display

➤ Pressure indication

Designed for easy integration of up to 2 vacuum gauges



User-friendly

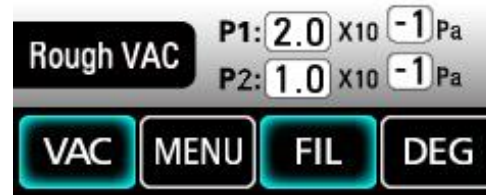
ULVAC

- User-friendly display with simple, easy to read icons.

■ Start Screen



■ Main Screen



■ Alarm Pop-up



■ Vacuum gauge selection screen



■ Built-in simple integration with ULVAC vacuum gauges.





Specifications

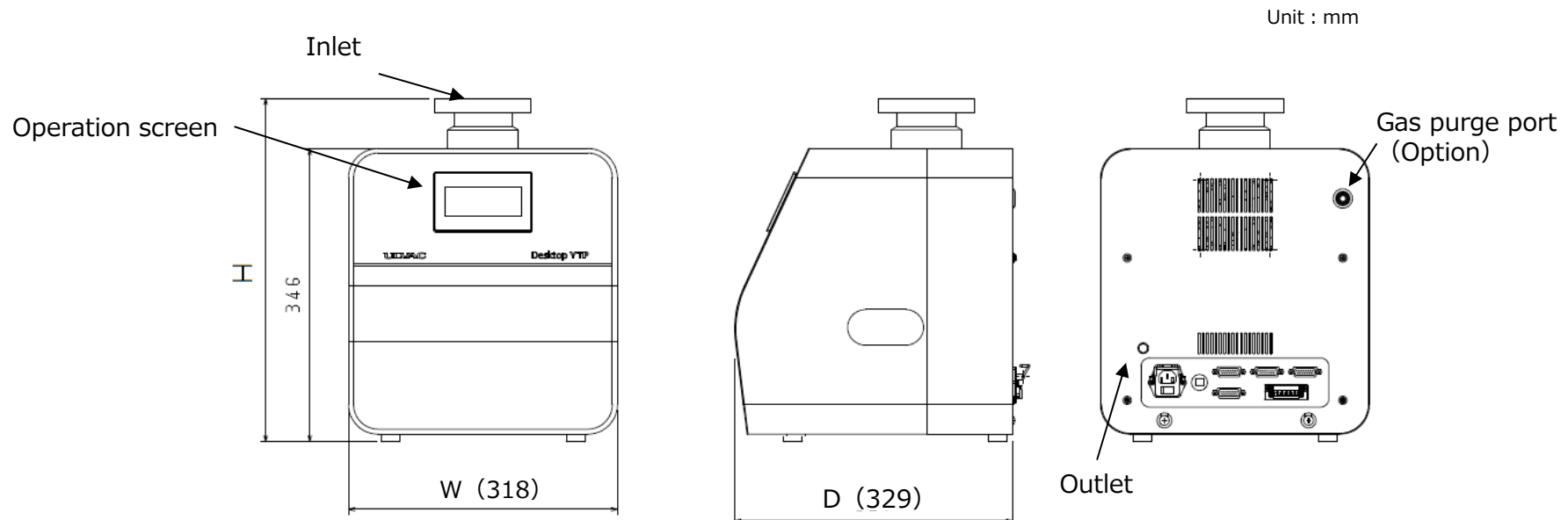
ULVAC

Model		YTP70A-D	
Inlet port		ICF114, VG65, ISO63-K	
Ultimate pressure(*1)		Pa	10 ⁻⁶
Pumping speed (*2)	N2	L/s	70
	He	L/s	60
	H2	L/s	49
Backing pump		L/min	20
Weight		kg	17.5
Noise (*3)		dB(A)	< 43
Input power source		Single phase AC100~240V(50/60Hz)	
Power capacity		300W	
Standard accessories		Instruction manual(CD-R), I/F connector, Protective net, Gasket	
External option		AC cable (3m) (*4)	
Applicable standard		CE, cTUVus	
*1 : A digit number is expressed.			
*2 : Without a protective net.			
*3 : At ultimate pressure. Measured by ULVAC standard for ICF flange type.			
*4 : Plug is selectable.			

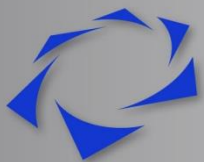


Dimensions

ULVAC



Inlet flange	H	D	W
ICF114	405	329	318
VG65	387		
ISO63-K			



Item lists

ULVAC

	Item code (R3 code)	Product name	Model	Spec
Main	210006915400	Turbo Molecular Pumping system	YTP70A-D-AV	w/o surface treatment, Inlet flange VG65
	210006915500	Turbo Molecular Pumping system	YTP70A-D-AK	w/o surface treatment, Inlet flange ISO63-K
	210006915600	Turbo Molecular Pumping system	YTP70A-D-AC	w/o surface treatment, Inlet flange ICF114
Option	200009461400	Purge gas unit	For YTP70A-D	
	200009461500	AC cable	For YTP70A-D	Japan version
	200009461600	AC cable	For YTP70A-D	North america version
	200009461700	AC cable	For YTP70A-D	Europe version
	200009461800	AC cable	For YTP70A-D	China version
	200009461900	AC cable	For YTP70A-D	Korea version