

G-TRAN Series Pirani Gauge Sensor Unit [SP1]

The sensor unit SP1 is an integrated pirani gauge consisting of the WP series gauge head and circuits, for the range of 3000 to 0.4Pa (22 to 3×10^{-3} Torr/ 3 to 4×10^{-3} mbar).

This vacuum gauge provides cost reduction and space-saving by minimizing functions. This is accomplished by removing the display.



Features

- ▶ **Transducer Spec**
If you don't need a pressure display device:
You can lower the costs associated with a vacuum gauge.
You can save space by minimizing the control panel.
You can minimize wiring circuits.
- ▶ **Maintainability**
Replacing sensor heads is greatly simplified.
- ▶ **Filament Material: platinum (Pt)**
Corrosion-resistant platinum is used for the filament material.
- ▶ **Able to Use WP Series Gauge Heads**
You can use current gauge heads (WP-01, 02, 03, 16) without modification.
- ▶ **Control Output Signal**
Use of two set points is possible.

- ▶ **Output Signal**
Pressure reading is a 0 to 5V output (non-linear).
- ▶ **Supply Voltage**
Unit operates with a DC24V input.

Applications

- ▶ Process control in the low vacuum range of vacuum equipment such as for semiconductor, optics and electronic parts manufacturing.
- ▶ Process control in the low vacuum range for industrial equipment such as vacuum furnaces, etc.
- ▶ Process control in the low pressure range for vacuum systems with multiple process chambers such as in-line sputtering and single wafer processing equipment.

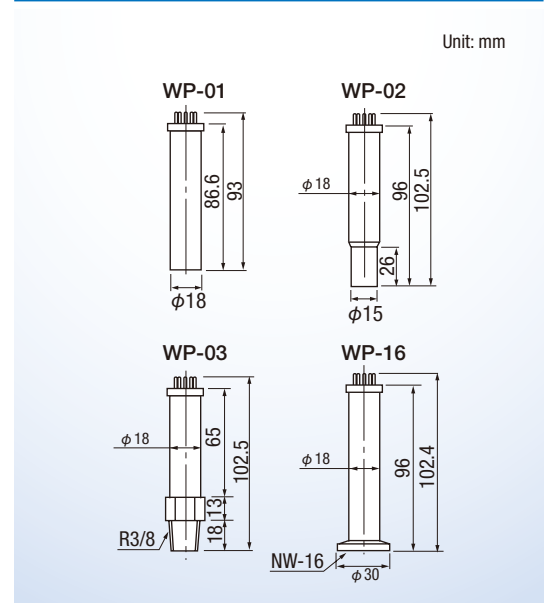
G-TRAN Series Pirani Gauge Sensor Unit [SP1]

Specifications

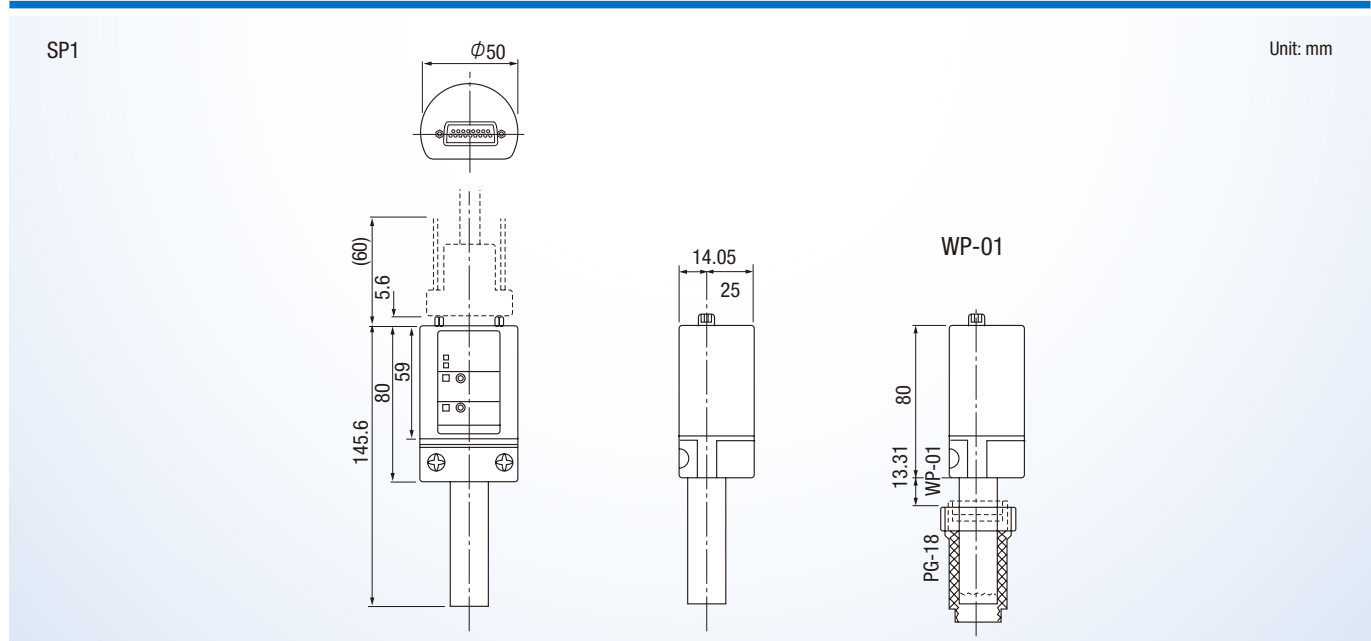
Type	Sensor unit
Model	SP1
Compatible sensor head	WP-01, WP-02, WP-03, WP-16
Measurement pressure range	4.0×10 ⁻¹ to 3.0×10 ⁻³ Pa 3×10 ⁻³ to 22 Torr 4×10 ⁻³ to 3 mbar
Accuracy	0.4 to 10Pa: ±50% 10 to 50Pa: ±30% 51 to 760Pa: ±15% 760 to 1000Pa: ±30% 1000 to 3000Pa: ±50%
Measurement value output	Nonlinear output: 0 to 5VDC (Max. 10V)
Setpoint 1/2 Pressure setting adjustment monitor	Nonlinear output: 0 to 5VDC (Max. 10V)
Control output signal	Open collector output, Negative logic ERROR signal Setpoint 1/2
LED display	Power, error, set point 1, set point 2
Operating temperature range	10 to 40°C (50 to 104°F)
Operating humidity range	15 to 80% (not condensing)
Power supply voltage	DC24V±2V, 90mA (Max.)
Input/Output connector	D-sub-15pin (M2.6 screw)
Weight	190g /0.41lb (Excluding sensor head)
Standard accessories	Input/Output connector 1pc Instruction manual CD 1pc

IO and analog GND are not isolated from the power GND.

Sensor Head Dimensions



Dimensions



ULVAC, Inc. Components Division

www.ulvac.co.jp/eng

Overseas Sales in Japan TEL +81-467-89-2261

USA : ULVAC Technologies, Inc. TEL +1-978-686-7550
 GERMANY : ULVAC GmbH TEL +49-89-960909-0
 CHINA : ULVAC (SHANGHAI) Trading Co.,Ltd. TEL +86-21-6127-6618
 TAIWAN : ULVAC TAIWAN, Inc. TEL +886-3-579-5688
 KOREA : ULVAC KOREA, Ltd. TEL +82-31-683-2922
 SINGAPORE : ULVAC SINGAPORE PTE LTD TEL +65-6542-2700

PHILIPPINES : ULVAC Singapore Philippines Branch TEL +63-2-828-7700
 VIETNAM : ULVAC Singapore Vietnam Representative Office TEL +84-8-62556762
 THAILAND : ULVAC (THAILAND) LTD TEL +66-2-312-4447
 MALAYSIA : ULVAC MALAYSIA SDN. BHD. TEL +60-3-5121-4700
 INDIA : ULVAC, Inc., India Branch TEL +91-40-27007006

▶ This catalog is subject to change without notice.
 ▶ This catalog is published in order to sell this product in overseas. Please see Japanese catalog when purchasing in Japan.